

## Features

- Universal Input 90~264V AC
- Approved to UKCA, CE, cULus, TUV-GS, RCM (C-Tick), FCC, RoHS, REACH
- UL/IEC/EN 62368-1 Safety Approved
- Meets Efficiency Level VI
- FCC Class B Certified
- Single Output 24V DC
- OVP, OCP, SCP



Ideal Power's 15DYS836-xyW-FX 40W AC/DC External Desktop Power Supply (PSU) Series are certified to UKCA, CE, cULus, TUV-GS, RCM (C-Tick), FCC, RoHS, REACH & EN 62368-1/IEC 62368-1/UL 62368-1 Standards and comply with (EU) 2019/1782, Level VI Efficiency Regulations. These are primarily used in ITE, Audio & Video Industries and customised solutions are available upon request.

### Models

Model Number	Output Voltage	Output Current	Output Power
15DYS836-240166W-FX	24VDC	1.66A	40W

### Input Data

	Min	Typical	Max	Units	Notes
Input Voltage	90	--	264	V AC	100-240VAC +/- 10%
Input Frequency	47	--	63	Hz	50-60Hz +/- 5%
Input Current	--	--	1	A	at 100-240Vac input & Full load/
Inrush Current	--	--	60	A	At cold start, 100 / 240V AC
Leakage Current			0.25	mA	

### Output Data

	Min	Typical	Max	Units	Notes
Output Voltage Range	22.8	--	25.2	V	
Ripple & Noise	--	--	240	mVpp	
Line Regulation	--	3	--	±	
Load Regulation	--	5	--	±	
Over Current Protection	Over Current Point Limited >2.16A				
Short Circuit Protection	Continuous short circuit proof. Will recover if fault condition is removed				
Over Voltage Protection	Will recover if fault condition is removed				

**Environmental Data**

	Min	Typical	Max	Units	Notes
Operating Temperature	0		+40	°C	
Storage Temperature	-20		+80	°C	
Operating Humidity	10		90	%	
Storage Humidity	5		95	%	

**Other Information**

	Conditions
Dielectric Strength	Primary to Secondary: 4242VDC/5mA Max (3 seconds)
MTBF	At least 50,000hours at 25°C, Full load and nominal
Dimensions	97.5x52.5x32.3mm
Cable	22AWG UL2468, 1.8m Black
Output Connector	2.1x5.5x12mm

**EMI Emissions (2014/30/EU)**

	Test Level
Standards	EN 55032 FCC Part 15
	Pass B

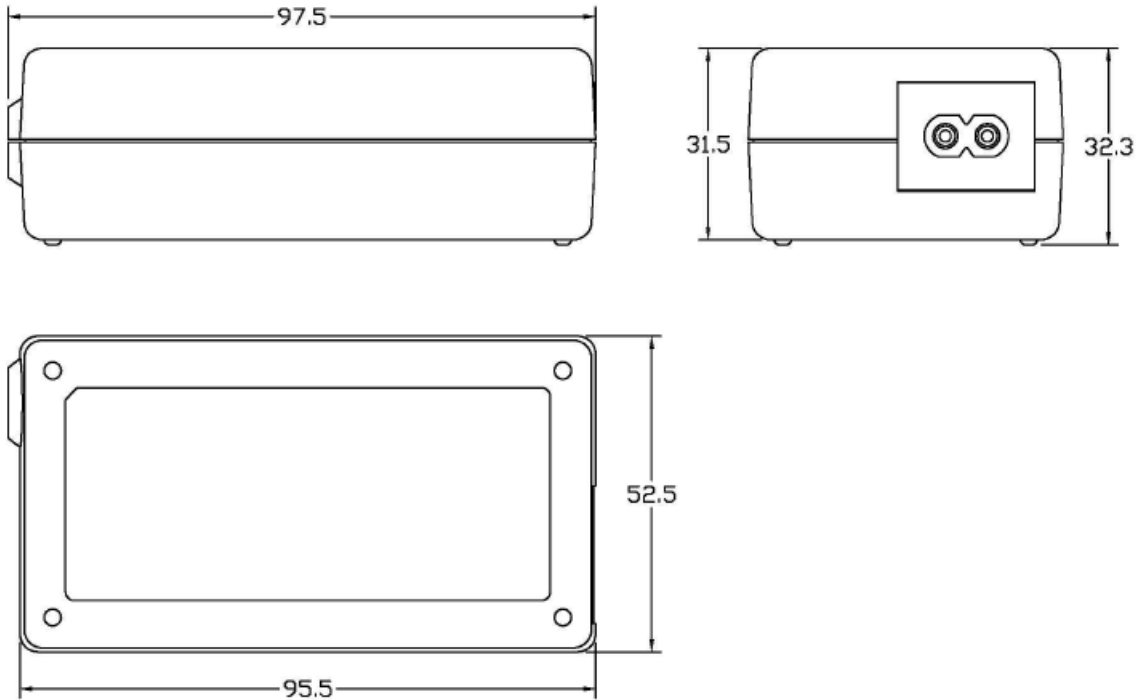
**EMS Immunity (2014/30/EU)**

	Standard	Criteria	Test Level
EMS	EN 55035		
ESD	IEC 61000-4-2	Contact: +/- 4KV; Air: +/- 8KV	Pass B
EFT	IEC 61000-4-4	0.5/1.0KV on input AC power ports	Pass A/B
Surge	IEC 61000-4-5	Differential mode: +/- 2KV (peak); Common mode: +/- 2KV (peak)	Pass A

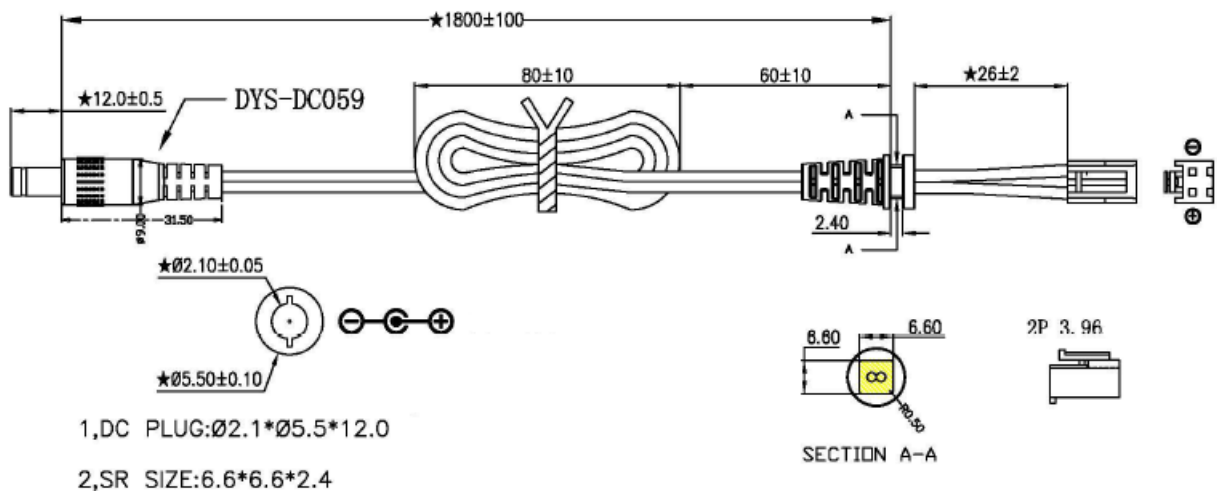
**Safety Approvals**

	Safety Standards
Standards	UL/IEC/EN 62368-1
Approvals	UKCA, CE, cULus, TUV-GS, RCM (C-Tick), FCC, RoHS, REACH

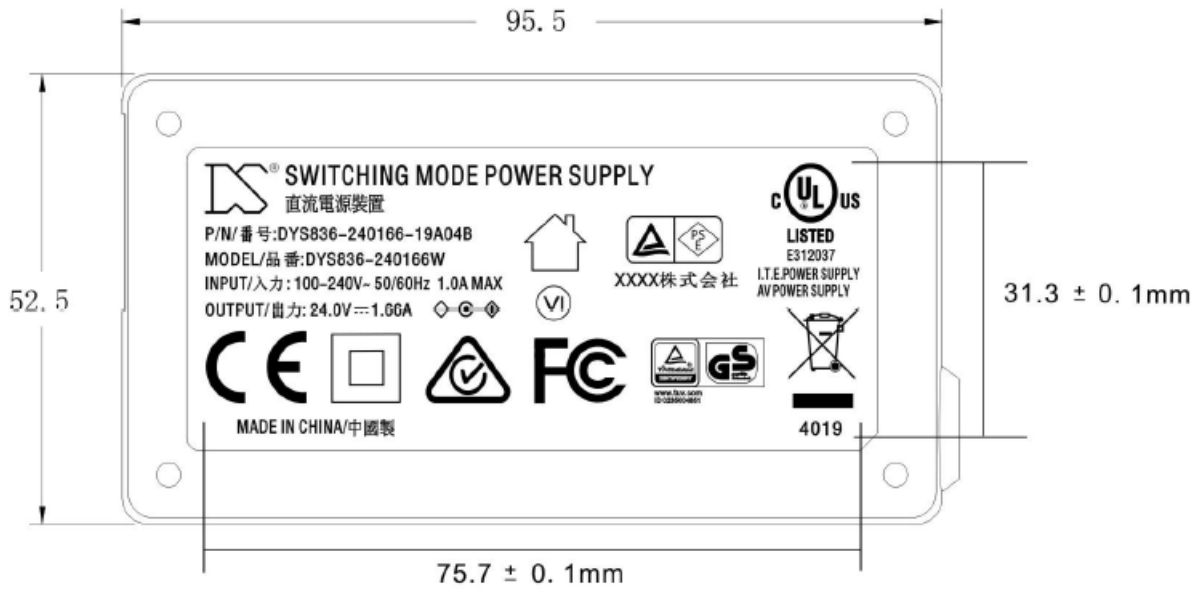
**Mechanical Drawing**



**Cable**



label



AC - DC